

**Receiver**

 Society  
 Reference  
 Address  
 Phone  
 Fax  
 E-mail

**From**

 -  
 -  
 -

**Item n° :**

102120022

**Model :**

K 45/50 M

**Pump data**
**MEI ≥**

 Pressure rating : 8 bar (800 kPa)  
 Min. fluid temperature : -10 °C  
 Max. fluid temperature : 50 °C  
 Max. Ambient temperature : 40 °C

**Requested data**

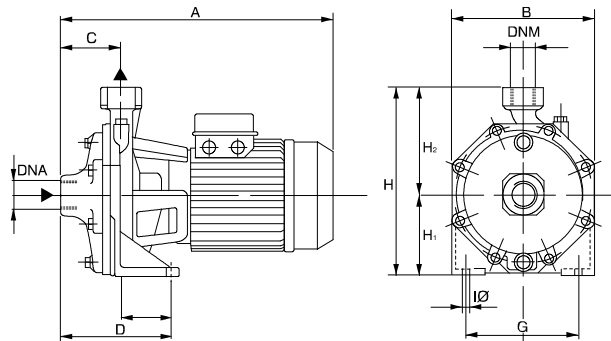
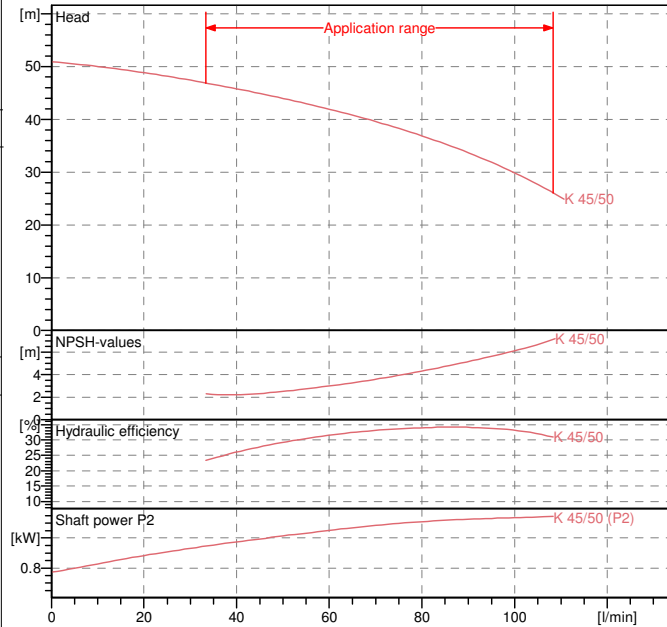
 Flow : 0.00 l/min  
 Head : 0.00 m  
 Fluid : Water  
 Fluid Temperature : 20 °C  
 Density : 62.315 lb/ft³  
 Kinematic viscosity : 1.0769E-5 ft²/s  
 Vapor pressure : 2.20 kPa

**Hydraulic data (duty point)**

 Flow :  
 Head :  
 NPSH :  
 Shaft power P2 :  
 Efficiency :

**Materials**

 Pump body : Cast iron 200 UNI ISO 185  
 Support : Cast iron 200 UNI ISO 185  
 Impeller : Technopolymer A  
 Mechanical seal : Carbon/Ceramic  
 OR ring : NBR Rubber  
 Shaft with rotor : AISI 303 X10 CrNiS 1809 UNI 6900/71  
 Intermediate cover : Cast iron 200 UNI ISO 185

**Curve tolerance according to ISO 9906**

**Weight :** 51.367 lb

**Motor data**

 Motor brand : DAB  
 Nominal power P2 : 1.1 kW  
 Rated speed : 2800 rpm  
 Rated voltage : 1~ 220-240 V 50 Hz  
 Nominal current : 8.3 A  
 Degree of protection : IP 44

**Dimensions in mm**

|     |         |   |      |
|-----|---------|---|------|
| A   | 370     | ∅ | 11.5 |
| B   | 210     |   |      |
| C   | 75      |   |      |
| D   | 144     |   |      |
| DNA | 1"1/4 G |   |      |
| DNM | 1" G    |   |      |
| E   | 69      |   |      |
| F   | 15      |   |      |
| G   | 165     |   |      |
| H   | 268     |   |      |
| H1  | 118     |   |      |
| H2  | 150     |   |      |

**Pump connection**

 Suction side : 1" 1/4 G / 8 bar (800 kPa)  
 Discharge side : 1" G / 8 bar (800 kPa)



# PERFORMANCE CURVES

2020-04-17

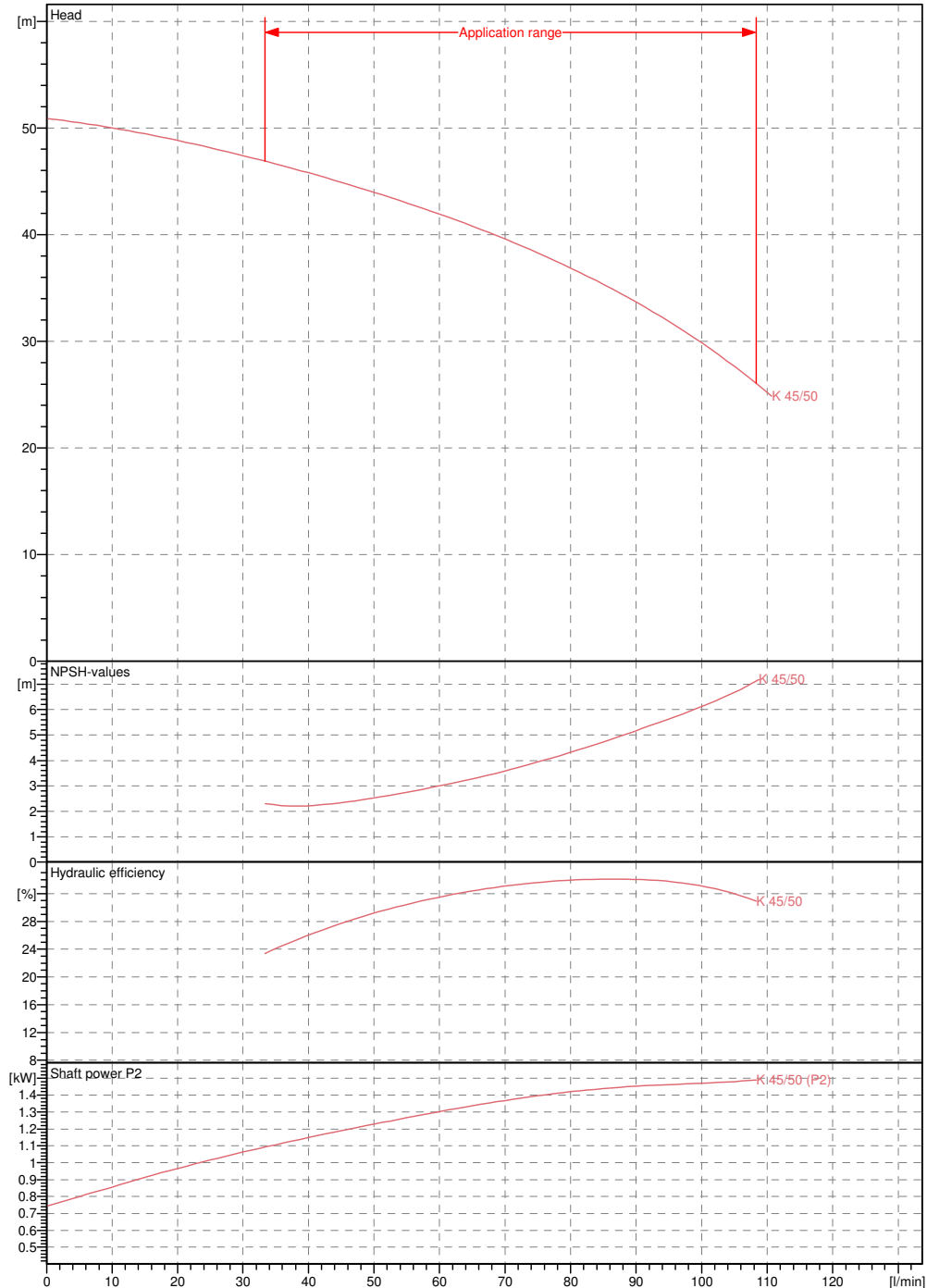
Page 4 / 5

DAB PUMPS S.p.A.  
Via Marco Polo, 14 - 35035 Mestrino (PD), Italy  
Tel. +39 049 5125000 - Fax +39 049 5125950  
www.dabpumps.com

|           |                 |             |
|-----------|-----------------|-------------|
|           | <b>Receiver</b> | <b>From</b> |
| Society   |                 | -           |
| Reference |                 | -           |
| Address   |                 | -           |
| Phone     |                 |             |
| Fax       |                 |             |
| E-mail    |                 |             |

## K 45/50 M

Curve tolerance according to ISO 9906



Hydraulic data (duty point)

|  |  |                   |                                 |                           |
|--|--|-------------------|---------------------------------|---------------------------|
| Suction side :<br>1 " 1/4 G<br>8 bar (800 kPa) | Discharge side :<br>1 " G<br>8 bar (800 kPa) | Flow :<br>0 l/min | Head :<br>0 m                   | Rated speed :<br>2800 rpm |
| Project  | Project ID                                   | Created by        | Created on<br><b>2020-04-17</b> |                           |

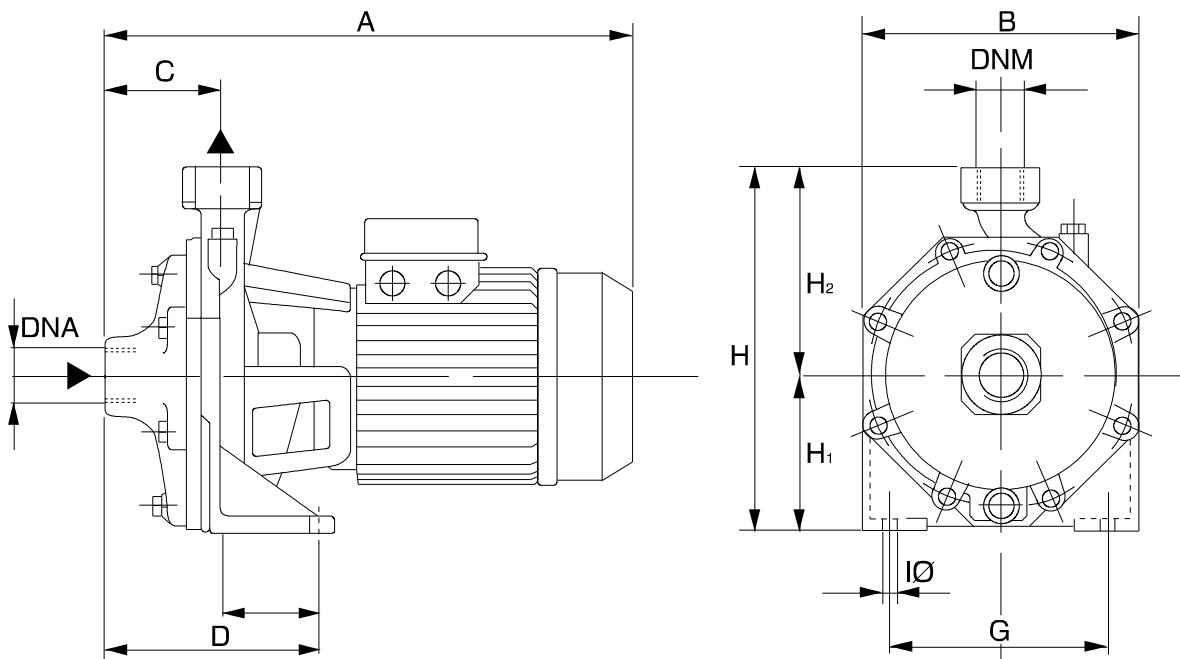
Receiver

From

Society  
 Reference  
 Address  
 Phone  
 Fax  
 E-mail

-  
 -  
 -

## K 45/50 M


**Dimensions in mm**

|    |     |         |    |      |  |  |
|----|-----|---------|----|------|--|--|
| 1  | A   | 370     | H1 | 118  |  |  |
| 2  | B   | 210     | H2 | 150  |  |  |
| 3  | C   | 75      | Ø  | 11.5 |  |  |
| 4  | D   | 144     |    |      |  |  |
| 5  | DNA | 1"1/4 G |    |      |  |  |
| 6  | DNM | 1" G    |    |      |  |  |
| 7  | E   | 69      |    |      |  |  |
| 8  | F   | 15      |    |      |  |  |
| 9  | G   | 165     |    |      |  |  |
| 10 | H   | 268     |    |      |  |  |

**Pump connection**

Suction  
 1" 1/4 G  
 8 bar (800 kPa)

Discharge  
 1" G  
 8 bar (800 kPa)

Project

Project ID

Created by

Created on

**2020-04-17**